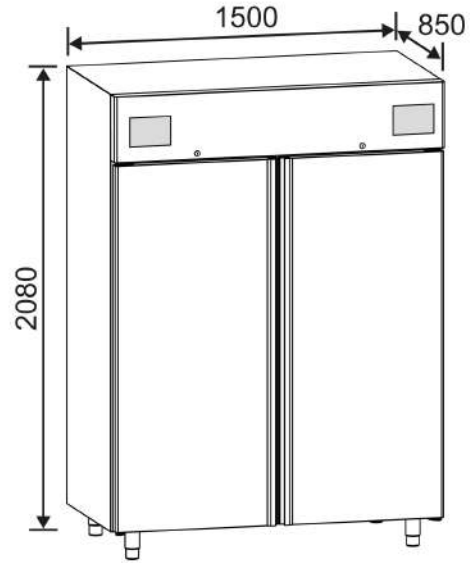




LCRF 1365 PRO



Color: **Stainless Steel**

Panel: **ADVANCED**

- Touch control panel with 7" display and password
- Data download to USB
- Backup battery for managing alarms in case of power failure
- Audible and visual alarms
- Wi-Fi connection (available starting from July 2024)

TECHNICAL FEATURES

Temperature	0°C / +15°C -5°C / -20°C
Refrigeration Type	Forced air
Condensate Evaporation	Automatic
Refrigerant Gas	R290
Climatic Class	+16°C / +32°C (N)
Gross Capacity (liters)	700 / 700
Net Capacity (liters)	625 / 625
External Dimensions (W x D x H mm)	1500 x 850 x 2080
Packaging Dimensions (W x D x H mm)	1560 x 940 x 2240



LCRF 1365 PRO

ELECTRICAL DATA

Power Supply (V/ph/Hz) 220-230/1/50

Power Plug Type F

STRUCTURAL FEATURES

Structure Upright

External Material Stainless steel 18/10 AISI 304

Internal Material Stainless steel 18/10 AISI 304

Insulation Thickness (mm) 75

Insulated Door Yes

Automatic Door Closure Yes

Internal Lighting Type LED lamp under the front panel

Shelves Number 3/3

Shelf Material Wire steel with white colour plastic coating

Shelves Dimensions (W x D mm) 530 x 650

Shelf Adjustment Step 13 / 13

Shelf Adjustment Step Range (mm) 89

Maximum Shelf Quantity 13 / 13

Drawers with extractable slides Optional

Drawer Adjustment Step 13 / 13

Drawer Adjustment Step Range (mm) 89

Maximum Drawer Quantity 13 / 13

CONTROL PANEL

Display Type Touch 7"

Languages ITA - ENG - FRA

Access Password Yes



LCRF 1365 PRO

CONTROL PANEL

3-Level Access Password	Yes
Temperature Graph	Visible on display
Probe Type	Nr. 3 PT1000
Alarm Signaling	Acoustic and visual
Alarm Indications	Text form / codes
Adjustable High/Low Temperature Alarm	Yes
Adjustable Door Open Alarm	Yes
Power Loss Alarm	Yes
Probe Fault Alarm	Yes
Low Battery Alarm	Yes
Dirty Condenser Alarm	Yes
Evaporator Freezing Alarm	Yes
Acoustic Alarm Silencing Options	Yes
Acoustic Alarm Reactivation	Yes
Alarm Functionality Test	Yes
Calibration	Yes
Alarm Memory	Yes
Door Openings Memory	Yes
Defrost Memory	Yes
Event Memory	Yes
Daily Min/Max Temperature Memory	Yes
Data Logger Function with USB Port	Yes
USB Port	Type B
Data and Event Storage	Yes (on internal memory)
Dry Contact	Yes
Wi-Fi Connectivity	No
Monitoring App	Yes
Backup Battery for Display and Alarms	Yes



LCRF 1365 PRO

CONTROL PANEL

Backup Battery Autonomy for Display and Alarms (hours)	48
--	----

ACCESSORIES

Open wire shelf

Stainless steel open wire shelf

Chromium plated open wire basket

Stainless steel drawer

Plastic drawer divider

Drawer Perspex front shield

Castors Ø 95 mm, 2 with brakes

Door key locking

Electronic door lock (available for ADVANCED control panel only)

Temperature chart recorder

Ballasted sensor for simulation of the product temperature alarm (available for ADVANCED control panel only)

Internal electrical socket

Porthole with cover Ø 18 mm

Porthole with cover Ø 45 mm

UVA LED stripe for air sterilization

Glass door

Safety anti-freezing thermostat

Temperature uniformity and stability kit ($<\pm 2^{\circ}\text{C}$)

Refrigerant R452a

GSM/GPRS telephone dialer

Voltage 230V/1ph/60Hz

Voltage 115V/1ph/60Hz

Plug type A

Plug type B



LCRF 1365 PRO

ACCESSORIES

Plug type G

Plug type I

Wooden crate packing

IQ Documentation

OQ Documentation

PQ Documentation